

Using Your Remote Control

Your remote helps you navigate Grande TV services. Below is an overview of your remote's capabilities:

DEVICE BUTTONS (AUX, DVD, AUD, TV or CBL):

Press once to select a home entertainment component to control. **CBL** controls the Motorola or Scientific Atlanta digital receiver.

GUIDE & MENU: Press to go to the Interactive Program Guide.

SETTINGS: Press to customize your Interactive Program Guide.

ARROWS: Press to navigate menus and listings and control playback of live TV and recorded programs.

VOLUME: Press + or - to raise or lower the volume.

MUTE: Press once to turn sound on or off.

FAV (Favorite): Press to see pre-selected channels or programs.

PIP buttons: Press to control Picture-in-Picture functions.



POWER: Press to turn your digital receiver, compatible TV, VCR and other device(s) on or off.

INFO: Press to obtain detailed program information.

EXIT: Press to exit out of your digital receiver's menu and guide.

PAGE: Press to navigate settings or the Program Guide.

OK/SEL: Press to choose options, PPV events and to tune to programs from the Program Guide.

CHANNEL: Press + or - to change the channel up or down.

LAST: Press to go back to a previous screen or area.

DVR PLAYBACK BUTTONS:

Use these buttons to navigate through your DVR recordings.

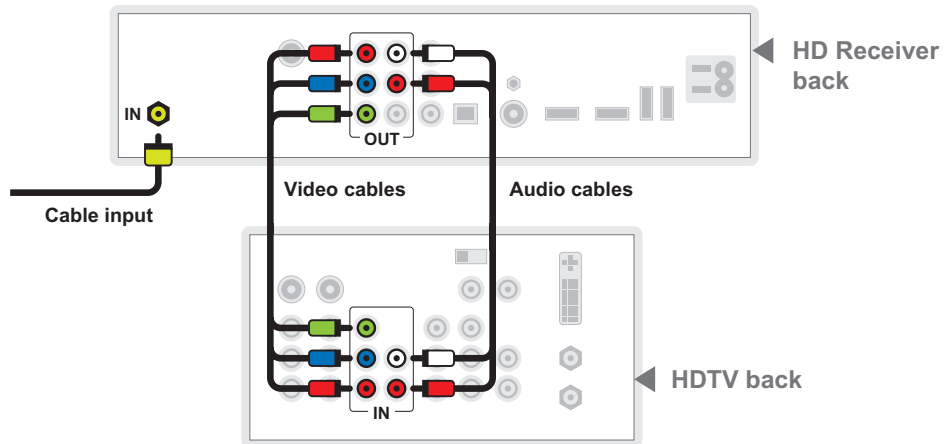
Programming Your Remote

1. Turn on all the electronic devices you want the remote to operate (i.e. TV, DVD, AUDIO).
2. Press the **OK/SEL** button and the **MUTE** button together until the **POWER/MODE** button illuminate in slow rotation (AUX, DVD, AUD, TV, CBL).
3. Press and hold the **CHANNEL UP** button until one device turns off. While you are pressing the **CHANNEL UP** button, the **POWER/MODE** buttons will illuminate in fast rotation. As soon as one device turns off, release the **CHANNEL UP** button.
4. Press the **MUTE** button. If the device that turned off in Step 3:
 - a. Turns back on, press the **OK/SEL** button to lock this code. The **POWER/MODE** buttons will blink three times and then will turn off.
 - b. Does not turn back on, press the **CHANNEL DOWN** button one click at a time until that device turns back on. Each time you press the **CHANNEL DOWN** button, the **POWER/MODE** buttons will illuminate once in reverse fast rotation (AUX, DVD, AUD, TV, CBL).
5. Repeat steps 2-4 for each of the remaining electronic devices you want the remote to operate.

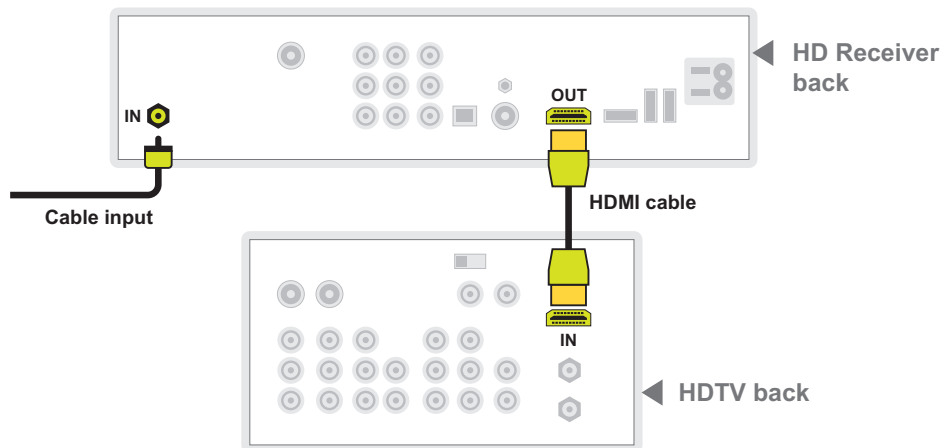
Connecting Your Components

See diagrams below for how to hookup your Grande set-top box using HDMI or component cables.

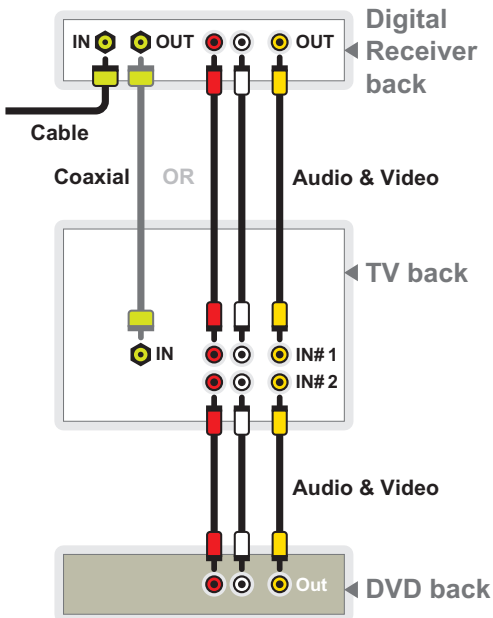
To Connect HD Using Component Cables



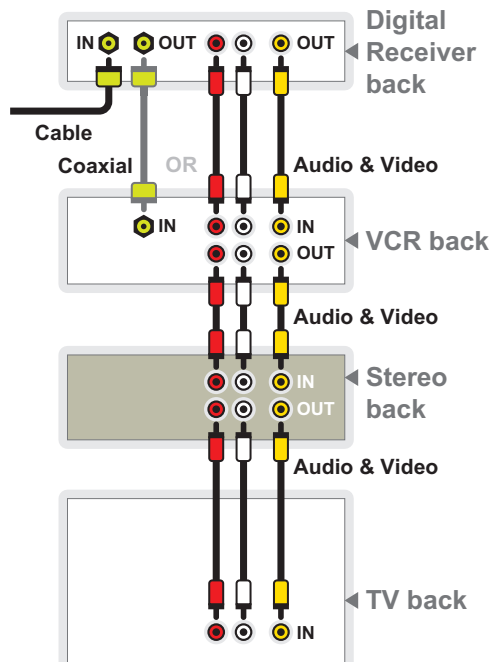
To Connect HD Using an HDMI Cable



To Connect a DVD Player



To Connect a Stereo



To Connect a Game System

